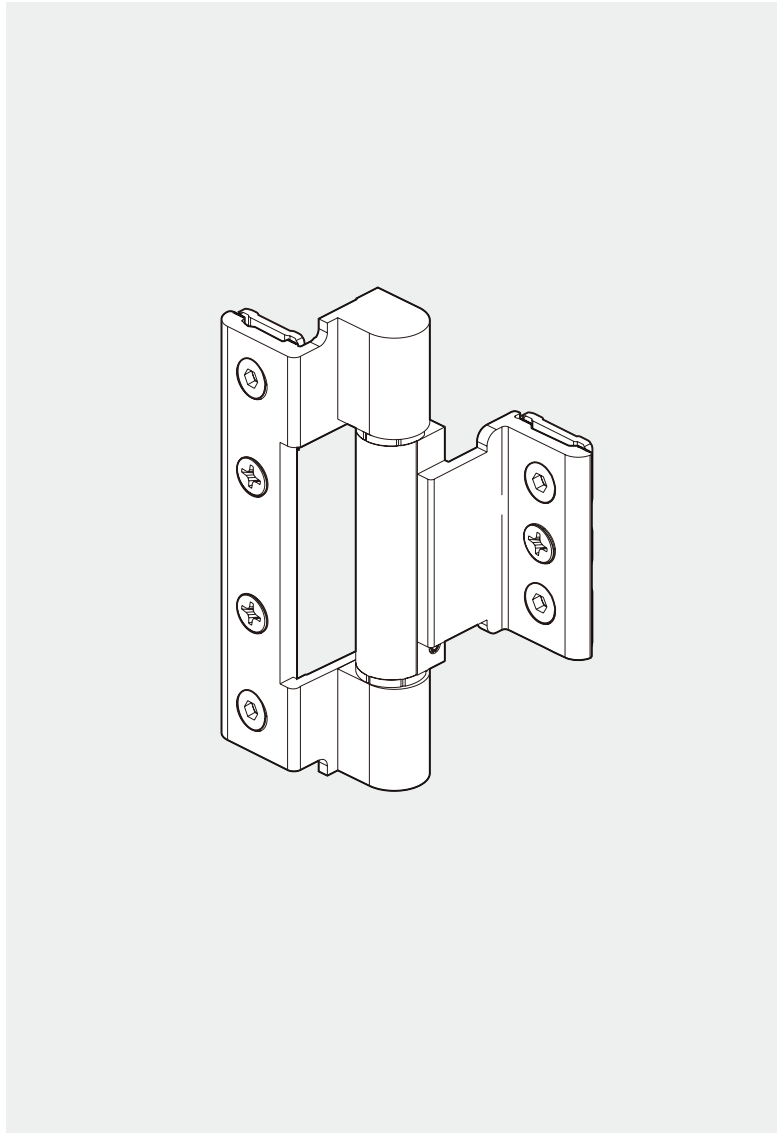


80KG ADJUSTABLE HINGE INSTALLATION INSTRUCTIONS

Hardware series:

- Inswing Casement Window
- Outswing Awning Window

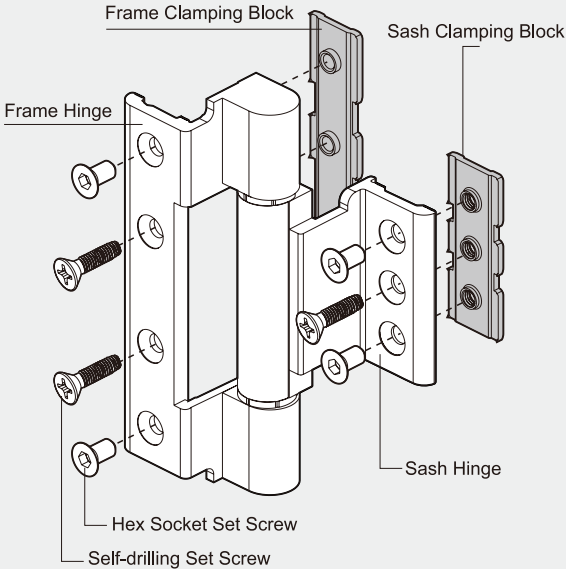
P/N: B040001, B040012
B040004, B040011



CMECH

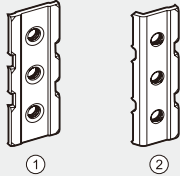
ASSEMBLE DRAWING AND INSTALLING REQUIREMENTS

Hinge Composition



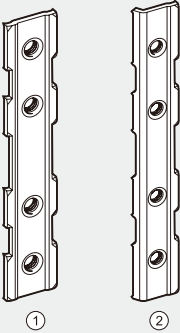
Sash Clamping Block

- ① Pre-positioned Clamping Blocks
- ② Post-positioned Clamping Blocks



Frame Clamping Block

- ① Pre-positioned Clamping Blocks
- ② Post-positioned Clamping Blocks



- Every window is fitted with 2 hinges, which can bear a maximum weight of 80kg with the largest window sash size (width 1,300 x height 1,200)

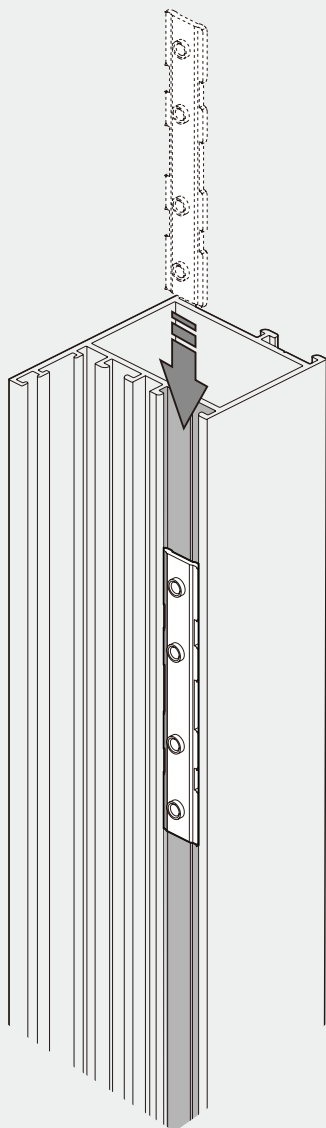


INSTALLING CLAMPING BLOCK

1

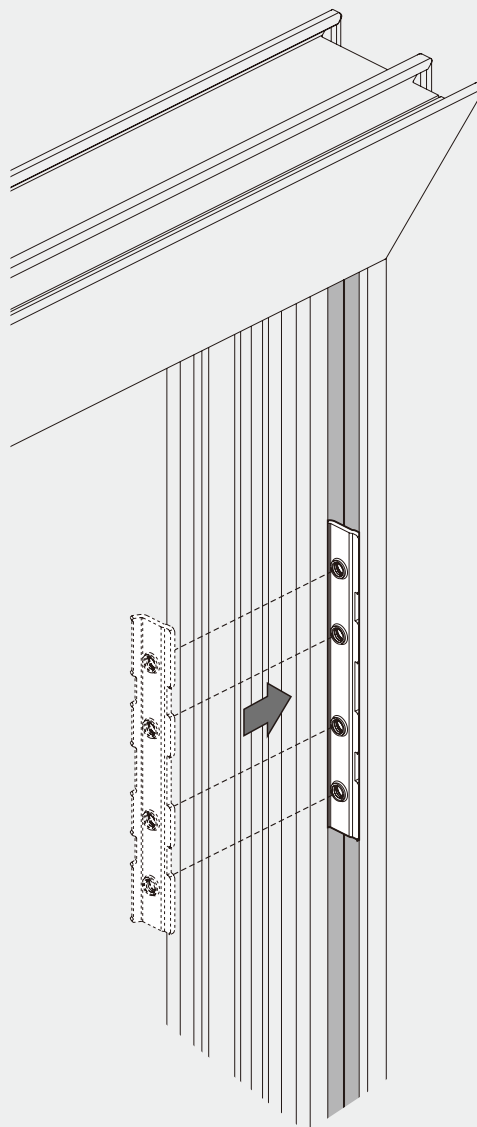
Installing Pre-positioned Clamping Blocks

- Insert the clamping block inside C-Groove on the profile before assembling the door frame/sash
- The number of blocks inserted matches the number of hinges



Installing Post-positioned Clamping Blocks

- Insert the clamp after assembling the door frame/sash



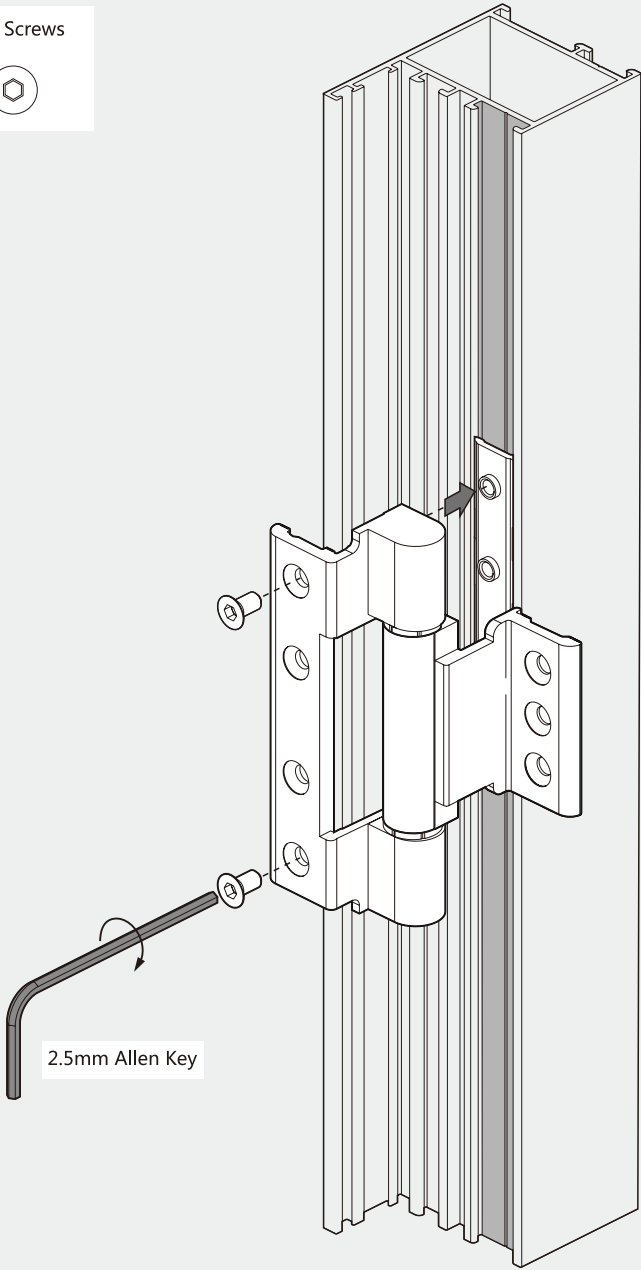
INSTALLING HINGES

2

Installing the Hinges on the Window Frame

CMECH Provides

Hex Socket Set Screws
2X



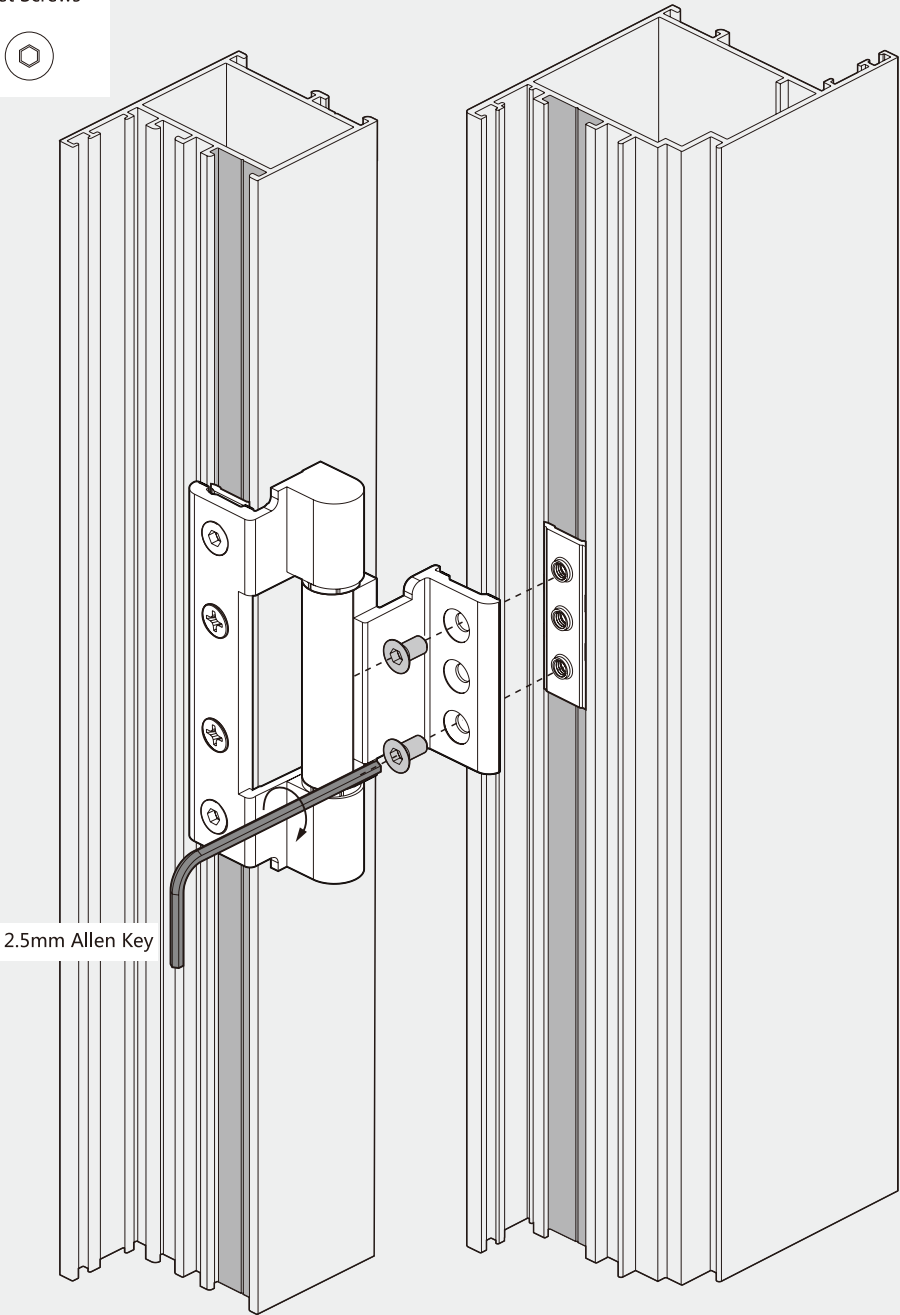
INSTALLING HINGES

3

Installing the Hinges on the Window Sash

CMECH Provides

Hex Socket Set Screws
2X



INSTALLING HINGES

4

Installation of Self-drilling Set Screw

After installing the upper and lower hinges and adjusting the height appropriately, tighten the self-drilling set screws.

CMECH Provides

Self-drilling Set Screw
3X

