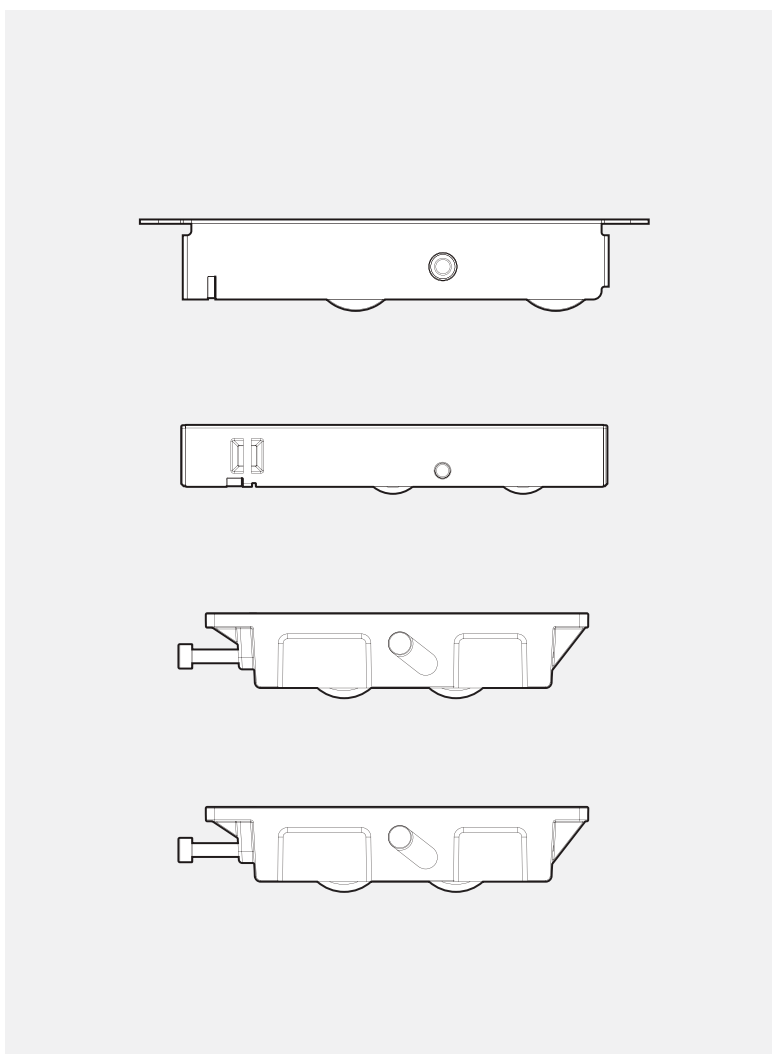


ROLLER CARRIAGE

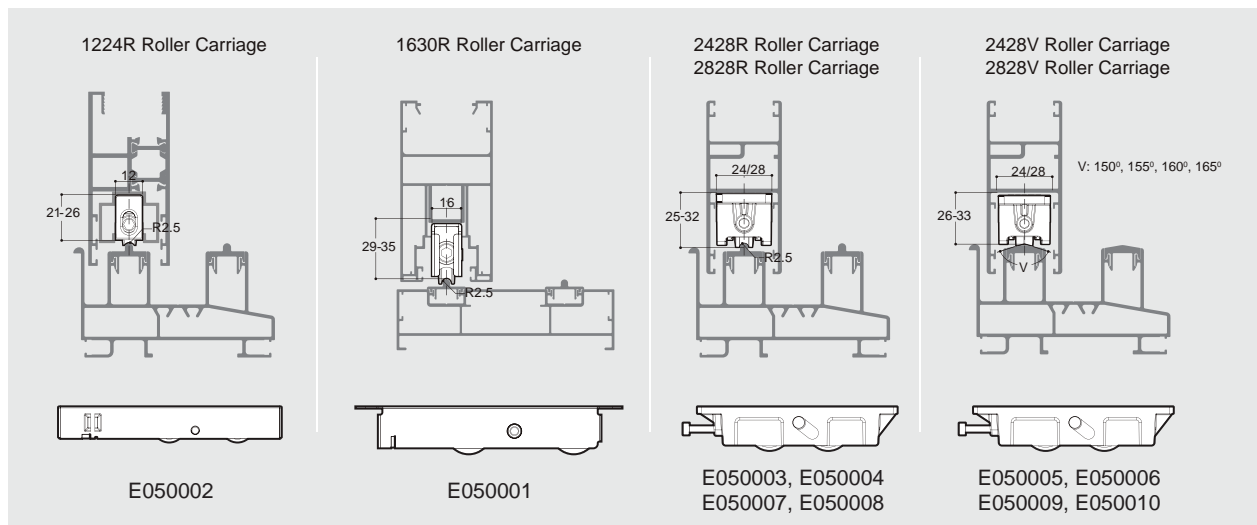
INSTALLATION INSTRUCTIONS

Applicable series:
- Gliding Door Hardware

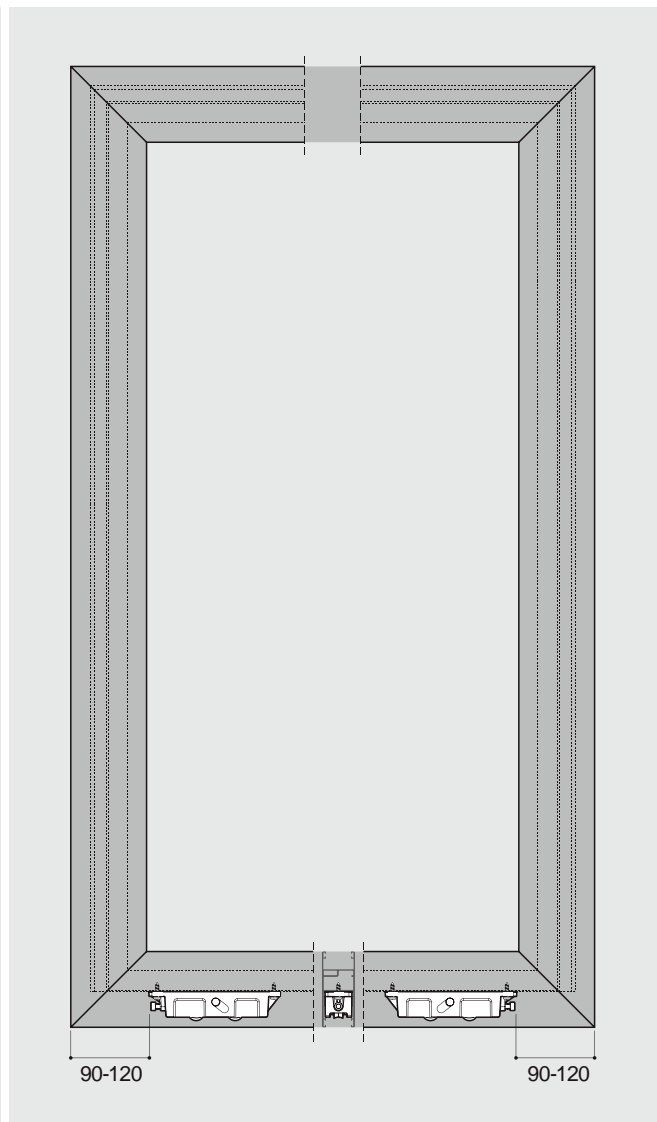
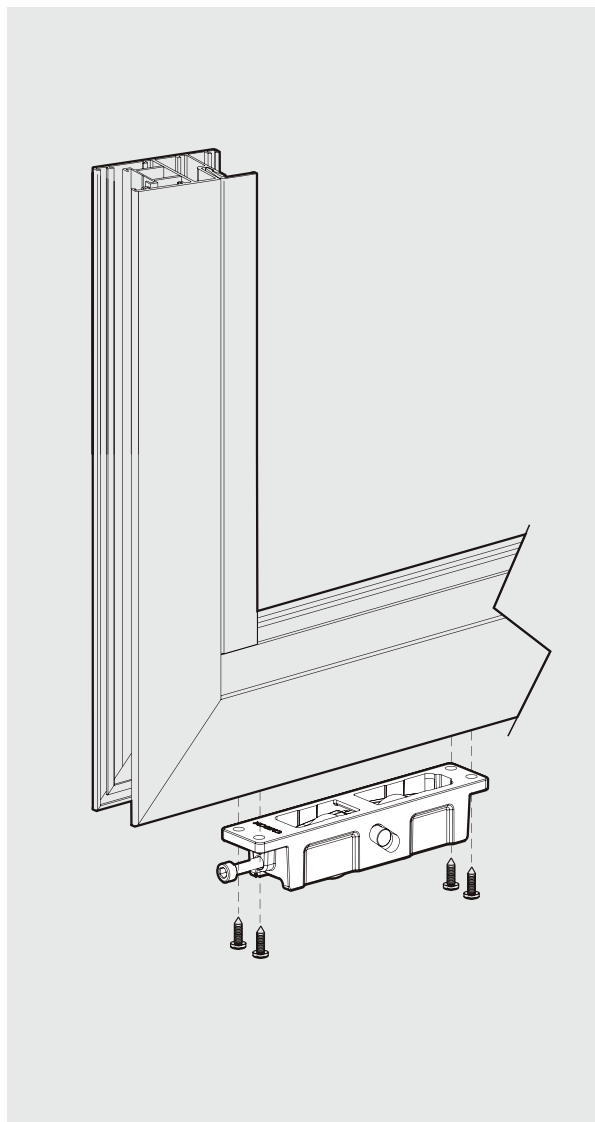


CMECH

PROFILE REQUIREMENTS



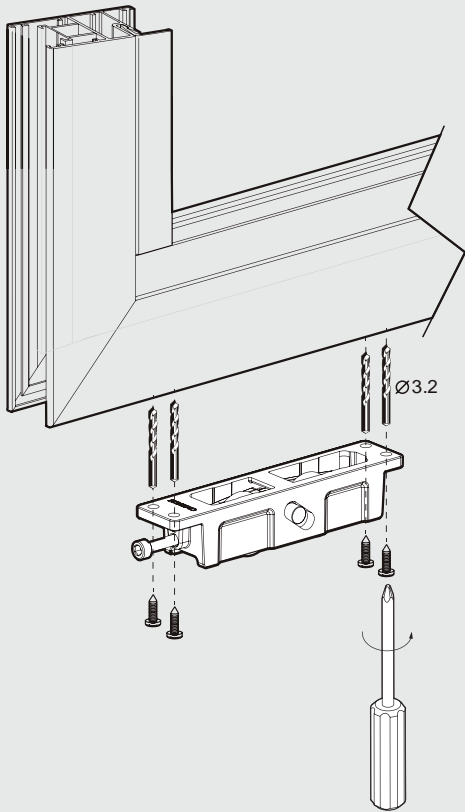
ASSEMBLE DRAWING AND INSTALLING REQUIREMENTS



START INSTALLING

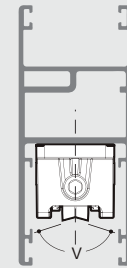
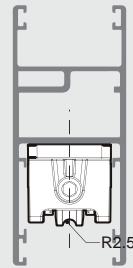
1

Roller Carriage Installation



2428R Roller Carriage
2828R Roller Carriage

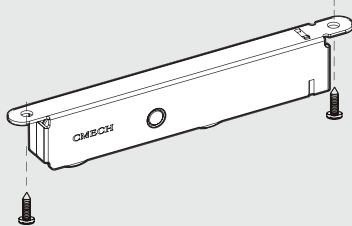
2428V Roller Carriage
2828V Roller Carriage



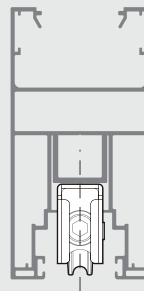
CMECH Provides



1630R Roller Carriage



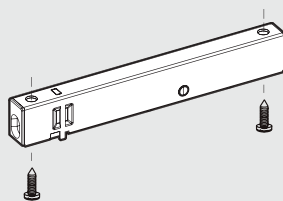
1630R Roller Carriage



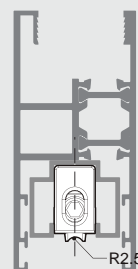
CMECH Provides



1224R Roller Carriage



1224R Roller Carriage



CMECH Provides



2

Roller Height Adjustment

