

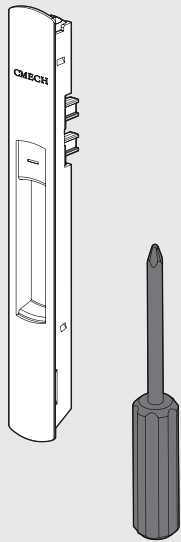
MULTI-POINT LOCK RECESSED HANDLE

INSTALLATION INSTRUCTIONS

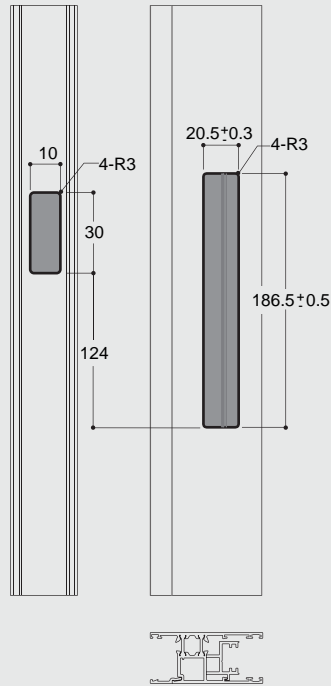
P/N: E010009

Gliding Door Hardware

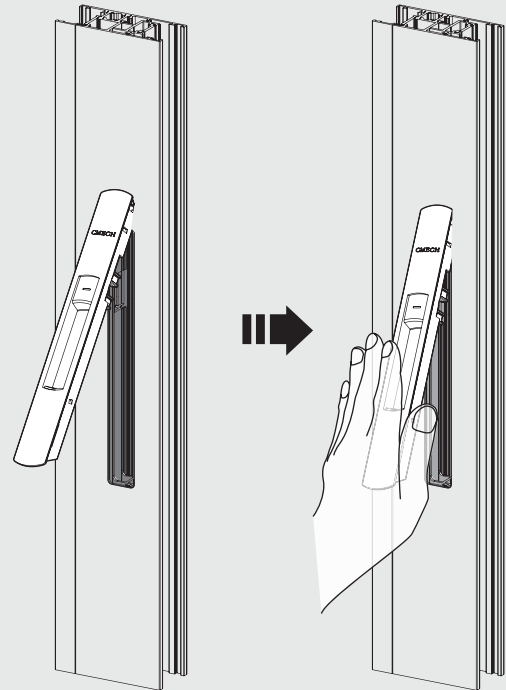
1 READY TO WORK



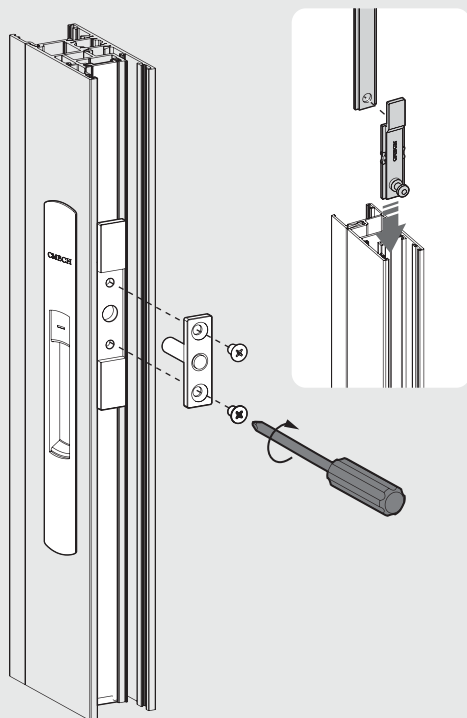
2 DRILLING REQUIREMENTS



3 INSTALLING



4 INSTALLING



5 COMPLETING INSTALLATION

